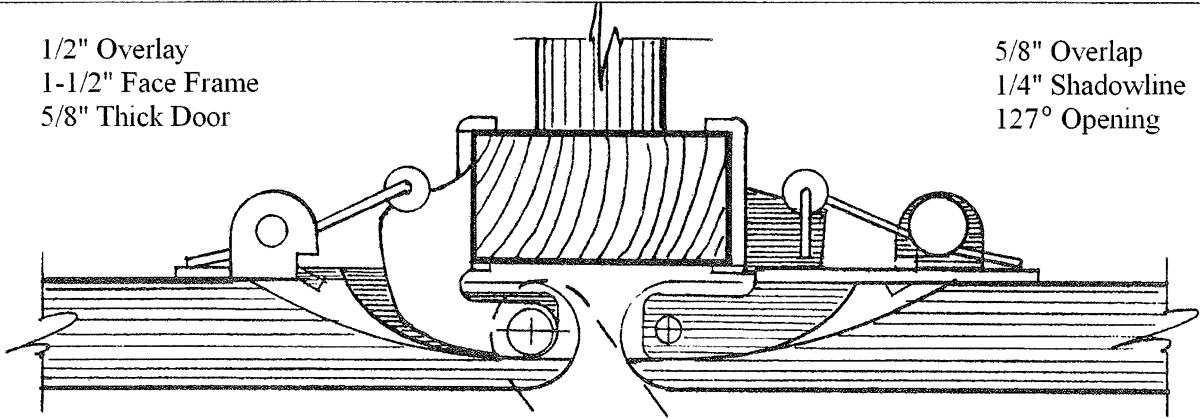


#65 YOUNGDALE SELF CLOSING HINGE

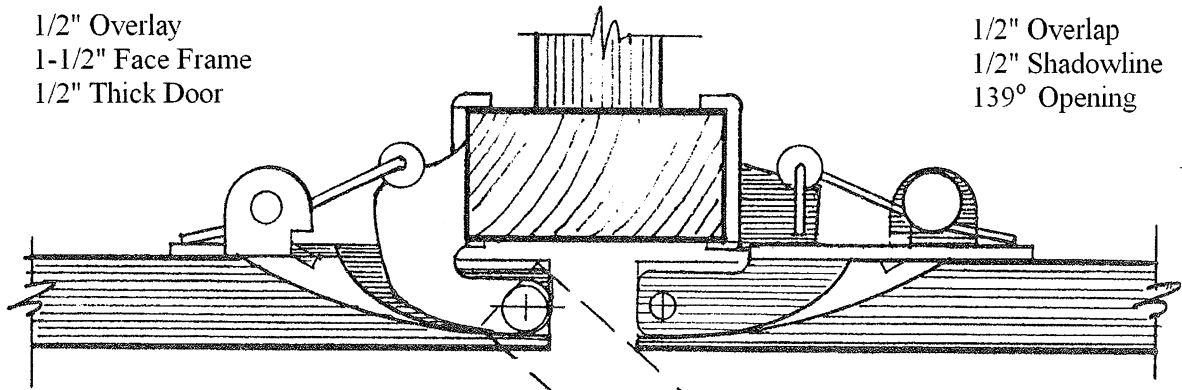
1/2" Overlay
1-1/2" Face Frame
5/8" Thick Door

5/8" Overlap
1/4" Shadowline
127° Opening



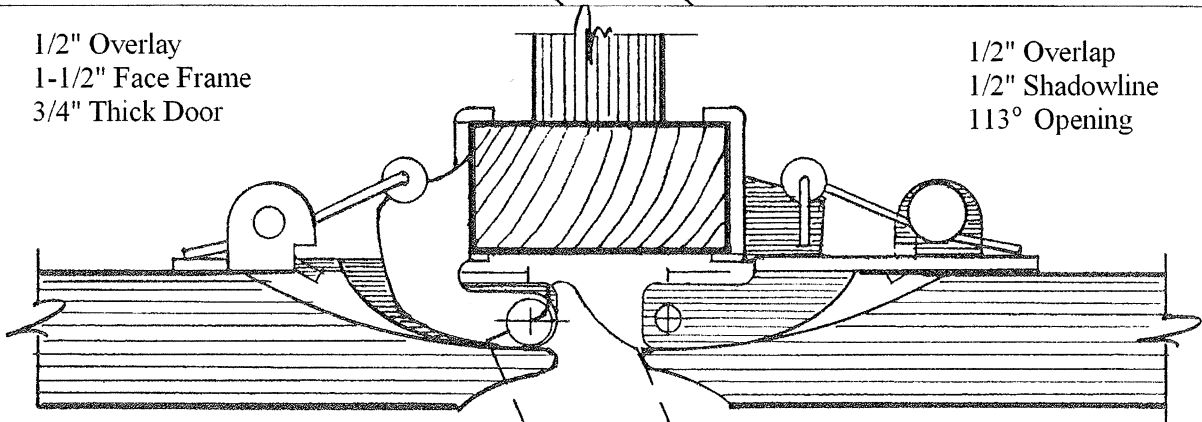
1/2" Overlay
1-1/2" Face Frame
1/2" Thick Door

1/2" Overlap
1/2" Shadowline
139° Opening



1/2" Overlay
1-1/2" Face Frame
3/4" Thick Door

1/2" Overlap
1/2" Shadowline
113° Opening



1/2" Overlay
1-1/2" Face Frame
3/4" Thick Door (1/2" @ Edge)

1/2" Overlap
1/2" Shadowline
118° Opening

